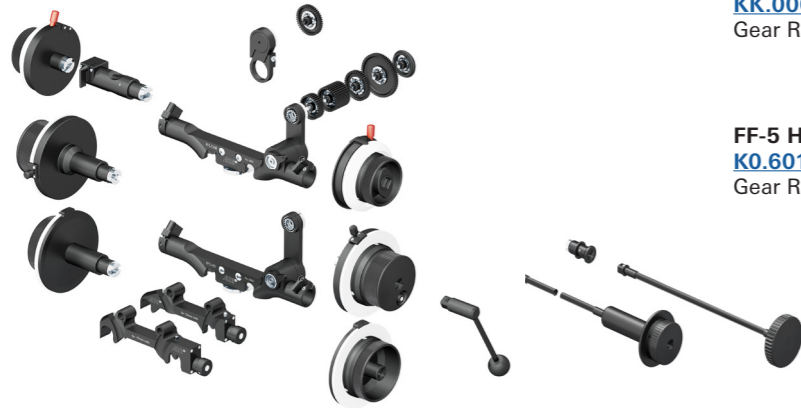


Studio Follow Focus FF-5 System / FF-4



Configuration Overview | 6.2.0 / 2021.03

Follow Focus FF-5 Sets



FF-5 Cine Set basic
[KK.0005757](#)
 Gear Ratio 2:1
 incl.
 FF-5 Cine Base, K2.65246.0
 Focus Knob standard left, K2.65253.0
 Module gear for smaller primes 0,8, K2.47252.0
 Module gear for larger primes 0,8, K2.65259.0

FF-5 HD Set basic **
[K0.60145.0](#)
 Gear Ratio 1:1
 incl.
 FF-5 HD Base, K2.65252.0
 Focus Knob standard left, K2.65253.0
 Module gear 0,5/78/6, K2.47631.0
 Module gear 0,6/64/6, K2.47632.0

additional accessories e.g.
 Bridgeplate Adapters for
 19mm or 15mm have to
 be ordered separately

**** discontinued items
 no stock available anymore**

FF-5 Cine Set pro
[KK.0005758](#)
 Gear Ratio 2:1
 incl.
 FF-5 Cine Base, K2.65246.0
 Focus Knob standard left, K2.65253.0
 Module gear for smaller primes 0,8, K2.47252.0
 Module gear for larger primes 0,8, K2.65259.0
 Focus knob standard right, K2.47215.0
 Focus lever, K2.32730.0
 Flexible shaft short, K2.34100.0
 Marking disk flat large (10x), K2.32701.0

FF-5 HD Set pro **
[K0.60146.0](#)
 Gear Ratio 1:1
 incl.
 FF-5 HD Base, K2.65252.0
 Focus Knob standard left, K2.65253.0
 Module gear 0,5/78/6, K2.47631.0
 Module gear 0,6/64/6, K2.47632.0
 Focus knob standard right, K2.47215.0
 Focus lever, K2.32730.0
 Flexible shaft short, K2.34100.0
 Marking disk flat large (10x), K2.32701.0

Follow Focus FF-4 black edition

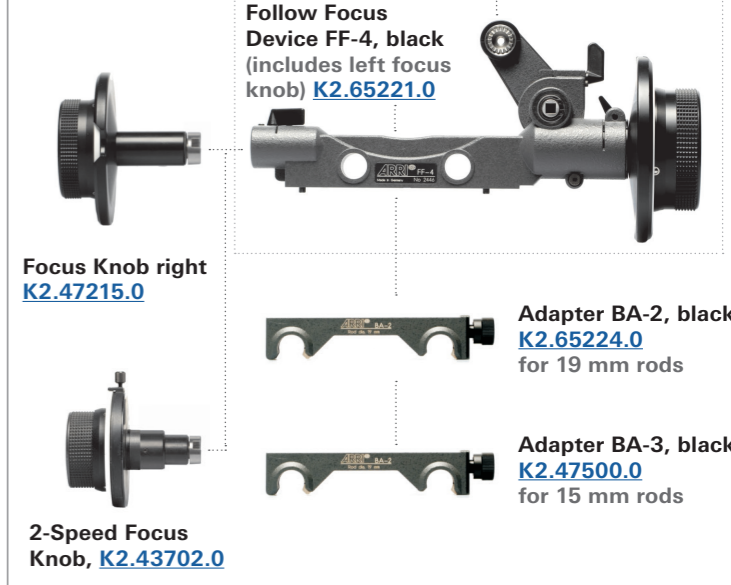
BLACK edition:
Follow Focus FF-4 SET for 19 mm Rods [KK.0005745](#)
Follow Focus FF-4 SET for 15 mm Rods [KK.0005746](#)
 Set includes:
 Main Unit K2.65221.0, BA Adapter K2.65224.0 (19mm) or
 K2.47500.0 (15mm), Gear for Prime lenses K2.47252.0, Focus
 lever K2.32730.0, Marking disk (4x) K2.32701.0, case K2.44965.0

Sample Configuration:

Gears see beside
 please order separately

Left Focus Knob
 K4.47589.0
 (included in
 K2.47121.0)
Marking Disk flat
[K2.32701.0](#)

**Follow Focus
 Device FF-4, black**
 (includes left focus
 knob) [K2.65221.0](#)



Focus Knob right
[K2.47215.0](#)

Adapter BA-2, black
[K2.65224.0](#)
 for 19 mm rods

Adapter BA-3, black
[K2.47500.0](#)
 for 15 mm rods

**2-Speed Focus
 Knob, [K2.43702.0](#)**

Basic Units and Accessories FF-5



FF-5 HD Base **
[K2.65252.0](#)
 Gear Ratio 1:1



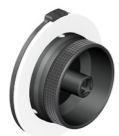
FF-5 Cine Base
[K2.65246.0](#)
 Gear Ratio 1:2



BP Adapter 15 mm
[K2.47630.0](#)



BP Adapter 19 mm
[K2.47629.0](#)



**Focus Knob
 Standard left**
[K2.65253.0](#)



**Focus Knob
 Standard right**
[K2.47215.0](#)



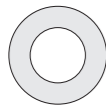
**2-Speed Focus
 Knob left**
[K2.66129.0](#)



**2-Speed Focus
 Knob right**
[K2.43702.0](#)



**Hard Stop Focus Knob
 for left and right**
[K2.65248.0](#)



Marking Disk, flat [K2.32701.0](#)
Marking Disk, bevelled [K2.47248.0](#)
 (for standard and 2-speed knob)



Set of Marking Disk
 (10x [K2.32701.0](#)), [KK.0005768](#)
Set of Marking Disk
 (5x [K2.32701.0](#)), [KK.0005769](#)



Marking Disk, flat [K2.47292.0](#)
Marking Disk, bevelled [K4.47621.0](#)
 (for hard stop knob)



Flexible Shaft long
[K2.32731.0](#)



**Flexible Shaft
 short, [K2.34100.0](#)**



Focus Lever
[K2.32730.0](#)



**Coupling for
 Flexible Shaft**
[K2.47235.0](#)



Reverse Gear Set
[KK.0005770](#)
 (incl. 1x Reverse Gear
 K2.65247.0 &
 2x Gear K2.65259.0)



**Extension for
 Focus Knob**
[K2.32985.0](#)



Case for Follow Focus
[K2.44965.0](#)

Follow Focus Gears

For more Gears please see
 Configuration Overview 7.1.0



Accessories for FF-4



Focus Lever
[K2.32730.0](#)



**Flexible
 Shaft, long**
[K2.32731.0](#)
 (900 mm)



**Flexible
 Shaft, short**
[K2.34100.0](#)
 (300 mm)



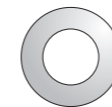
**Extension
 for focus knob**
[K2.32985.0](#)



**Coupling
 for flexible shaft**
[K2.47235.0](#)
 (not for LFF-1)



**Case for Follow Focus
 FF-3/FF-4, [K2.44965.0](#)**



Marking Disk, bevelled
[K2.47248.0](#) (for FF-3, FF-
 4, FF-5HD and LFF-1
 with large focus knob only)

Marking Disk, flat
[K2.32701.0](#) (for FF-3, FF-
 4, FF-5HD and LFF-1
 with large focus knob only)

Set of Marking Disk (10x [K2.32701.0](#))
[KK.0005768](#)
Set of Marking Disk (5x [K2.32701.0](#))
[KK.0005769](#)